

57BID-BLDC Motor /24V Driver

• **General Specifications**

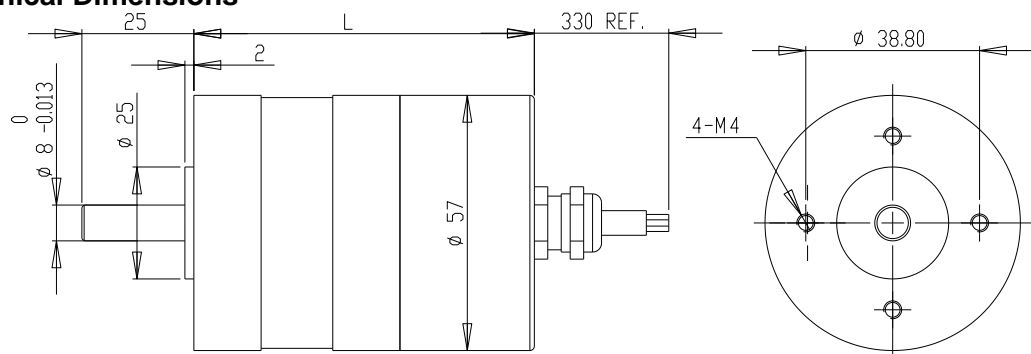
Winding connection	STAR
Sensor position	120°
Insulation Class	B
Ambient temperature	-20°C~+50°C
Insulation resistance	100MΩ Min.500V DC
Dielectric strength	500V AC 1minute



• **Electrical Specifications**

Model	SEI	57BID71 -2430	57BID76 -2430	57BID86 -2430	57BID96 -2430	57BID116 -2430	57BID36 -2430
	Factory	57BID01-24	57BID02-24	57BID03-24	57BID04-24	57BID05-24	57BID06-24
Nominal voltage	Vdc	24	24	24	24	24	24
Rated speed	RPM	3000	3000	3000	3000	3000	3000
Rated Torque	N.m	0.057	0.11	0.165	0.22	0.33	0.44
Rated Current	Amps	1.2	2.3	3	4.4	6.6	8.6
Output Power	Watts	15	34	52	69	103	138
Peak Torque	N.m	0.18	0.38	0.58	0.8	1.2	1.6
Peak Current	Amps	3.6	6.8	9	13.2	19.8	25.8
Torque constant	N.m/A	0.074	0.059	0.06	0.062	0.062	0.063
Back EMF	V/krpm	7.75	6.2	6.3	6.5	6.5	6.6
Rotor inertia	g·cm ²	32	42	58	72	106	140
Body Length (L)	mm	71	76	86	96	116	136
Mass	Kg	0.6	0.7	0.85	0.95	1.25	1.6
Number of Poles & Phases	4 poles / 3 phases						

• **Mechanical Dimensions**



• **Wiring Diagram**

