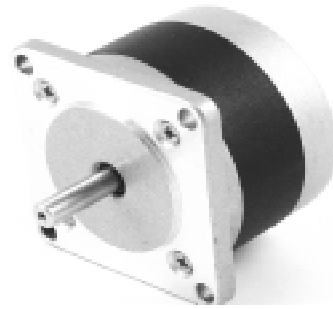


## 1.8° Size 23 Hybrid Motors

- General Specification for Hybrid Step Motors

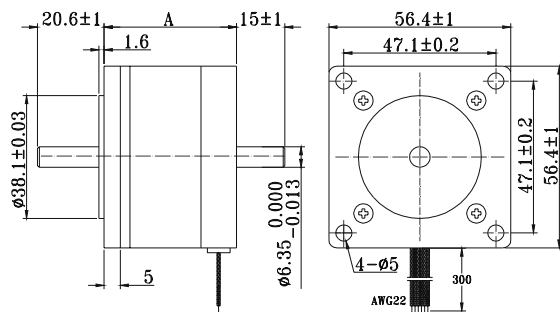
Item	Specifications
Step Angle Accuracy	± 5% (full step, no load)
Resistance Accuracy	± 10%
Inductance Accuracy	± 20%
Temperature Rise	80°C Max. (rated current, 2 phase on)
Ambient Temperature	- 10°C ~ +50°C
Insulation Resistance	100 MΩ Min., 500 VDC
Dielectric Strength	500 VAC for one minute
Shaft Radial Play	0.06 Max. (450 g-load)
Shaft Axial Play	0.08 Max. (450 g-load)



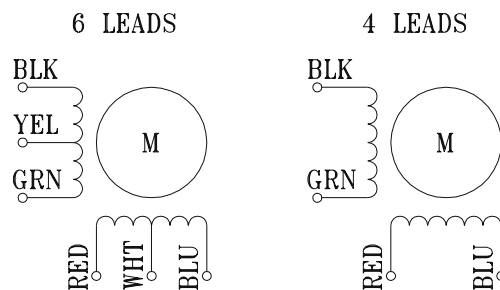
- Size 23 Standard Stepping Motor Specifications

Model No.		Rated Voltage	Per Phase			Holding Torque		# of Leads	Rotor Inertia	Weight
Single Shaft	Double Shaft		Current	Resistance	Inductance	Oz-in	Kg-cm			
		V	A	Ω	MH			g-cm <sup>2</sup>	Kg	
23H160-110-6A	23H160-110-6B	4	1.1	3.6	3.6	40	2.88	6	57	0.54
23H160-040-6A	23H160-040-6B	12	0.4	30	30					
23H160-156-4A	23H160-156-4B	2.8	1.56	1.8	3.6	56	4	4	110	0.6
23H200-085-6A	23H200-085-6B	6	0.85	7.1	9					
23H200-042-6A	23H200-042-6B	12	0.42	29	36	69	4.97	6	110	0.6
23H200-280-4A	23H200-280-4B	1.8	2.8	0.65	1.6					
23H220-120-6A	23H220-120-6B	6	1.2	5	8	84	6.05	6	135	0.65
23H220-060-6A	23H220-060-6B	12	0.6	20	32					
23H220-280-4A	23H220-280-4B	2.8	2.55	1.1	3.6	117	8.4	4	135	0.65
23H300-150-6A	23H300-150-6B	5.4	1.5	3.6	6					
23H300-068-6A	23H300-068-6B	12	0.68	17.7	30	125	9	6	200	0.95
23H300-270-4A	23H300-270-4B	2.7	3.3	0.85	3					

- Dimensions:



- Wiring Diagram



Model #	A	
	Inches	mm
23H160H(M)	1.6	41
23H200H(M)	2.0	51
23H220H(M)	2.2	56
23H300H(M)	3.0	76

- Motor modification options

Motor : Special length, Windings Bearings, & Threads

Shaft : Flat, pinion, Keyway, Length

Lead wire : Type, Color, Length, Connector Installation