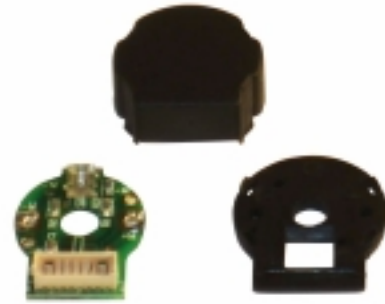


IER22 Incremental Optical Encoder

Reflective

Features:

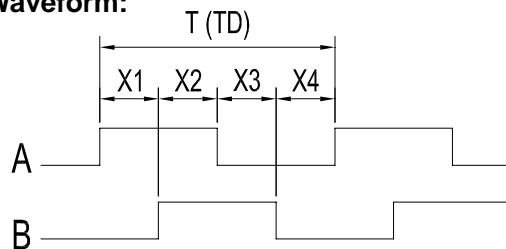
- 2 channel quadrature outputs
- Low cost
- Small size (22mm)
- Quick and easy assembly
- 48, 64, 100, 128, 200, 256 cycles per revolution (CPR)
- Fit shaft diameters: 2mm to 5 mm



Description:

The IER is high performance, cost-effective, two channel optional incremental housed encoders. These encoders emphasize high reliability, high resolution and easy assembly. The IER encoders contain a reflective surface mount encoder chip (AEDR-8300) and a 48, 64, 100, 128, 200, 256-line count code wheel. The outputs of the IER encoders are two square waves in quadrature.

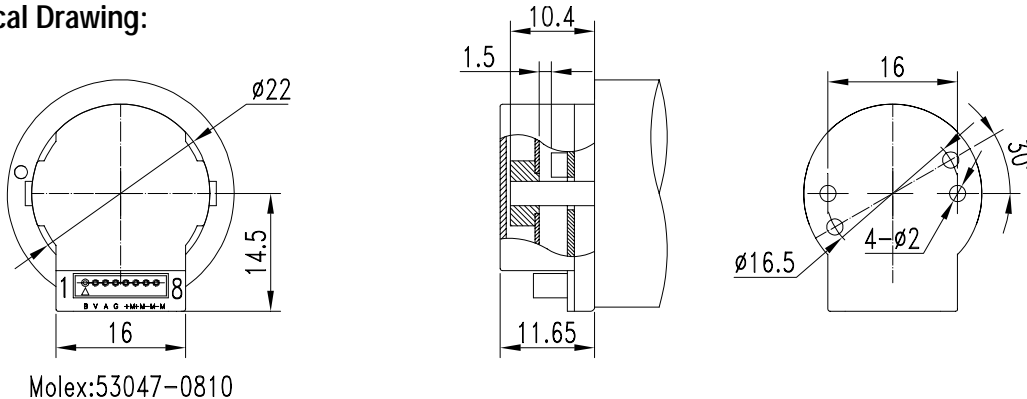
Waveform:



Applications:

The IER provides motion detection at a low cost, making them ideal for high volume applications. Typical applications include vending machines and motor manufacturing applications.

Mechanical Drawing:



Recommended Operating Conditions:

Supply Voltage	5.0 ± 0.5V
Supply Current	18mA Max.
Count Frequency	30kHz Max.
Load Capacitance	100pF Max.
Temperature	0 ~ 85°C

Pin Description

PIN	Des.	PIN	Des.
1	Ch B	5	-M
2	Vcc	6	-M
3	Ch A	7	+M
4	GND	8	+M

Ordering Information:

<u>IER</u>	-	<u>CPR</u>	-	<u>Shaft Dia.</u>
Type		48,100,200		3=3.00mm
Reflective		64, 128, 256		5=5.00mm
	<u>22</u>			
	Frame size			
	22 = 22mm			