

φ104mm

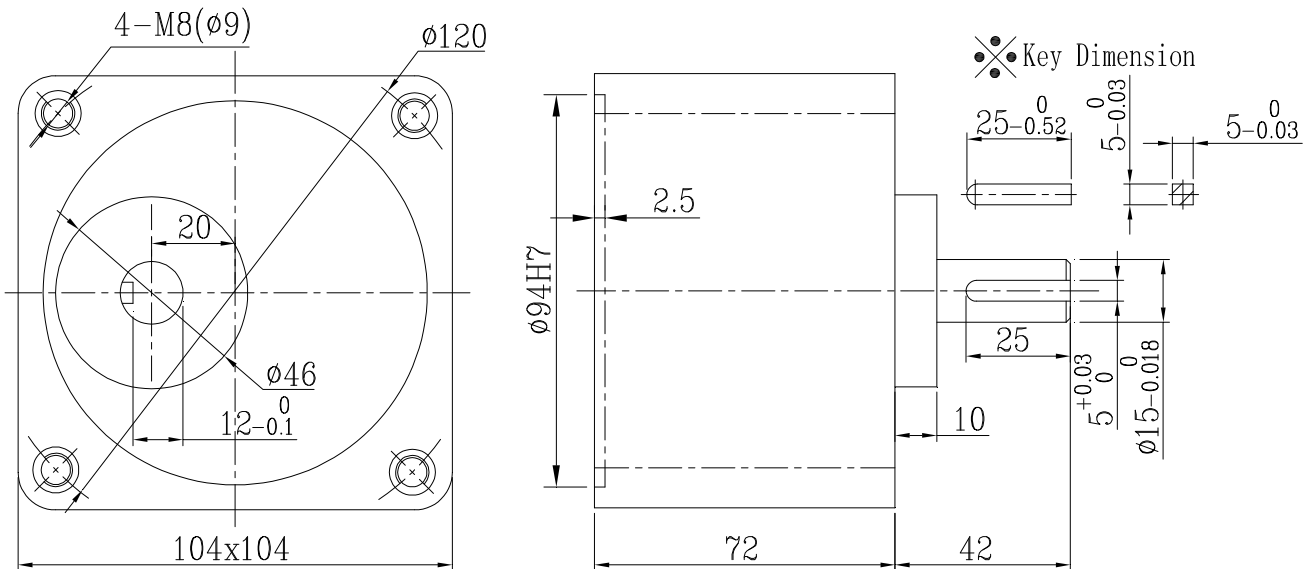
SPUR GEARHEAD (增强正齿轮箱) w/
140W (φ104mm) AC Motors (交流马达)



● Gearhead Specifications:

Gear Ratio	Stage	Eff.	Rated Load	Max. Load	Length
减速比	级数	效率	额定负载	最大负载	长度
1:X	#	%	Kg.cm	Kg.cm	mm
3 - 9	2	81	100	300	
10 - 18	3	73	250	750	72
20 - 200	4	66	400	1200	

● Gearhead Dimensions:



● Gearmotor Specifications:

$Y(\text{in-lb}) = 8.85075 * X(\text{Nm})$

Pole (Hz)	Gear Ratio	Efficiency																									
		3	3.6	5	6	7.5	9	10	12.5	15	18	20	25	30	36	40	50	60	75	90	100	120	150	180	200		
4 (60)	Speed	RPM	600	500	360	300	240	200	180	144	120	100	90	72	60	50	45	36	30	24	20	18	15	12	10	9	
	Rated Load	N.m	2.16	2.60	3.60	4.33	5.41	6.49	6.50	8.12	9.75	11.7	11.7	14.7	17.6	21.1	23.5	29.4	35.2	39.2	39.2	39.2	39.2	39.2	39.2	39.2	39.2
		Kg.cm	22.1	26.5	36.8	44.1	55.1	66.2	66.2	82.8	99.4	119	120	150	180	216	240	299	359	400	400	400	400	400	400	400	400
4 (50)	Speed	RPM	500	417	300	250	200	167	150	120	100	83	75	60	50	42	38	30	25	20	17	15	13	10	8	8	
	Rated Load	N.m	2.41	2.89	4.01	4.81	6.01	7.22	7.23	9.03	10.8	13.0	13.1	16.3	19.6	23.5	26.1	32.7	39.2	39.2	39.2	39.2	39.2	39.2	39.2	39.2	39.2
		Kg.cm	24.5	29.4	40.9	49.1	61.3	73.6	73.7	92.1	111	133	133	167	200	240	267	333	400	400	400	400	400	400	400	400	400
2 (50)	Speed	RPM	1000	833	600	500	400	333	300	240	200	167	150	120	100	83	75	60	50	40	33	30	25	20	17	15	
	Rated Load	N.m	1.09	1.31	1.82	2.19	2.73	3.28	3.29	4.11	4.93	5.91	5.94	7.43	8.91	10.7	11.9	14.9	17.8	22.3	26.7	29.7	35.6	39.2	39.2	39.2	
		Kg.cm	11.2	13.4	18.6	22.3	27.9	33.5	33.5	41.9	50.2	60.3	60.6	75.7	90.9	109	121	151	182	227	273	303	363	400	400	400	400

Note: The speed in the above table is the Synchronous Speed. The speed will be 2~20% lower at different load.