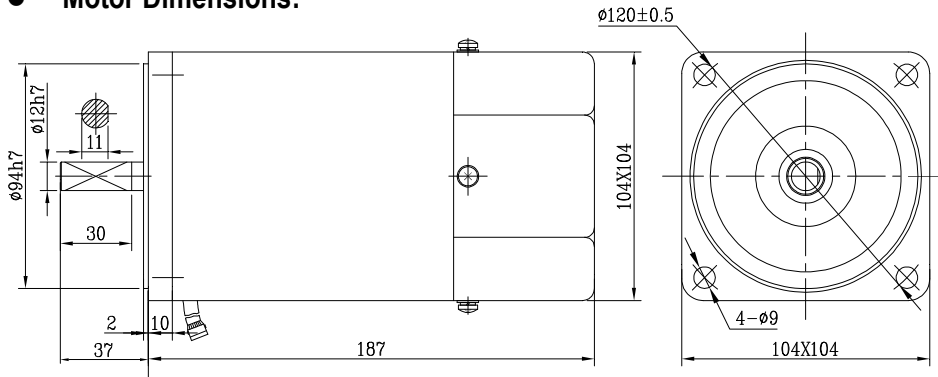


# 120W

AC Induction/Reversible Motor (交流马达) w/  
Speed Control, Brake (速度控制, 电磁刹车)

● Motor Dimensions:



● Motor Specifications:

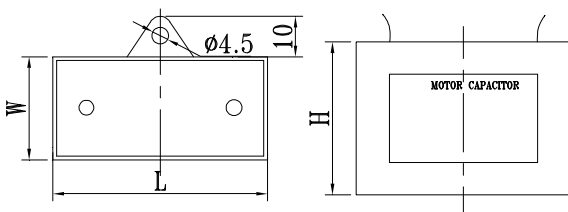
$$Y(\text{in-lb}) = 0.867313 * X(\text{Kg.cm})$$

Model	Type	Power		Poles	Phase	Volt	Freq.	Rated				Starting Torque		Duty	Capacitor	
		W	HP					Speed	Current	Torque		mNm	kg-cm		uF	Vac
								RPM	Amp	mNm	kg-cm					
100IK120-4S11-6	Induction	120	1/6	4	1	110	60	1500	1.90	780	7.95	650	6.63	Cont.	25	250
100IK120-4S22-5		120	1/6	4	1	220	50	1300	0.92	850	8.67	750	7.65	Cont.	8	450
100IK120-2S22-5		120	1/6	2	1	220	50	2800	0.88	400	4.08	420	4.28	Cont.	8	450
100IK120-4T22-5		120	1/6	4	3	220	50	1300	0.89	850	8.67	3200	32.63	Cont.		
100IK120-2T38-5		120	1/6	4	3	380	50	2800	0.51	850	8.67	3200	32.63	Cont.		

Model	Type	Power	Range	Poles	Phase	Volt	Freq.	Rated Torque				Starting Torque		Duty	Capacitor			
								1200 RPM		90 RPM		mNm	kg-cm		mNm	kg-cm	uF	Vac
								W	RPM	mNm	kg-cm							
100IK120-4S11-6	Speed Control	120	90 ~ 1400	4	1	110	50	750	7.65	400	4.08	550	5.61	Cont.	25	250		
100IK120-4S22-5								750	7.65	400	4.08	650	6.63	Cont.	8	450		

● Capacitor Dimensions:

Capacity	Voltage	L ± 1	W ± 1	H ± 1
uF	VAC	Mm	mm	mm
8	450	47	26	38
25	250	68	32	56



● Wiring Diagrams:

