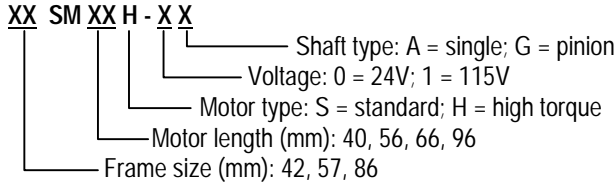


Low Speed Synchronous Motors

Key Features:

- Low steady speed: 72 RPM at 60Hz power supply
- Fast response: Start, Stop and Reverse in 1 cycle
- High stopping accuracy: $\pm 3.6^\circ$
- Residual torque: Holding Torque even without power

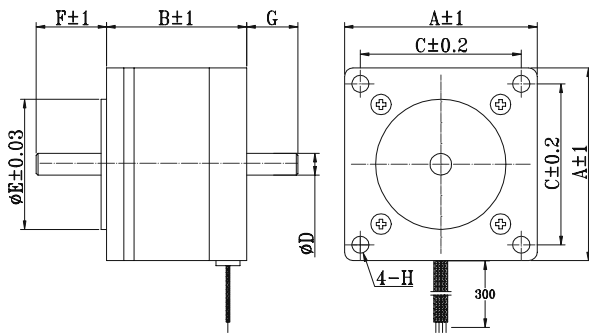
Product Number Code:



Synchronous Motor Specifications

Model	Voltage	Frequency	Current		Torque		Speed	Residual Torque		Rotor Inertia	Capacitor	External resistor
	V		A	Oz-in	Kg-cm	RPM		Oz-in	Kg-cm			
57SM41H-1A	115	60	0.10	22.2	1.60	72	2.08	0.15	120	1.2		
57SM56S-1A	115		0.14	33.3	2.35		2.85	0.20	145	1.2		
57SM56H-1A	115		0.10	51.3	3.70		3.47	0.25	300	1.2		
86SM62H-1A	115		0.21	155	11.2		5.00	0.36	560	2.5	400 / 30	

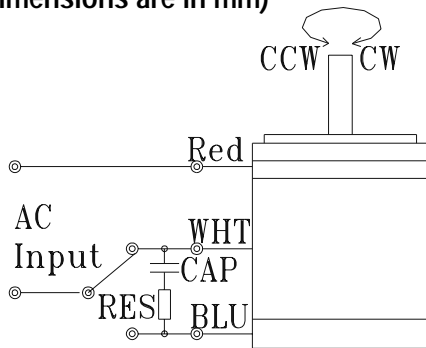
Dimensions:



MODEL	57SM40	57SM56	86SM62
A	57	57	86
B	41	56	62
C	47.1	47.1	69.6
D	6.35	6.35	9.5
E	38.1	38.1	73
F	20.5	20.5	30
G	20	20	20
H	$\phi 5$	$\phi 5$	$\phi 5.5$

Wiring Diagram

(All dimensions are in mm)



Motor modification options

- Motor : Special length, Windings Bearings, & Threads
- Shaft : Flat, Pinion, Keyway, Length
- Lead wire: Type, Color, Length, Connector Installation